

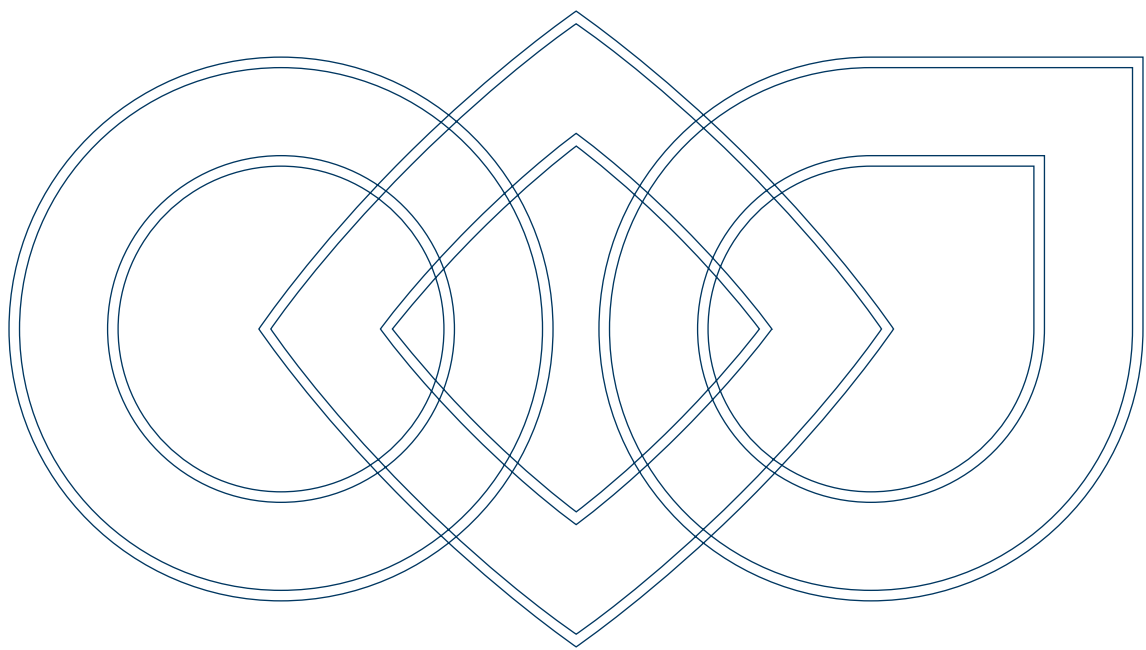
# **Bonfiglioli** *Forever Forward*

---

## Solutions for **Road Machinery**



APPLICATION



## Solutions for **Road Machinery**



Bonfiglioli, with the broad and diversified Bonfiglioli Trasmital and Bonfiglioli O&K Antriebstechnik product ranges, is able to satisfy every application requirement for road construction and maintenance machinery, including:

- milling and recycling machines
- road compactors, in all versions
- tracked and wheeled road pavers.

Each machine has its own specific structural and duty characteristics, which Bonfiglioli is well aware of, thanks to over 40 years of experience in the industry, working in close partnership with the leading manufacturers of road machinery.

Bonfiglioli is thus able to offer a range of products perfectly tailored to meet a broad variety of drive specifications: from highly compact track drives for milling machines to final drives for road compactors, including wheel drives for road pavers, with 2 speed shift option: slow for operating on work sites and fast for transfer between sites.

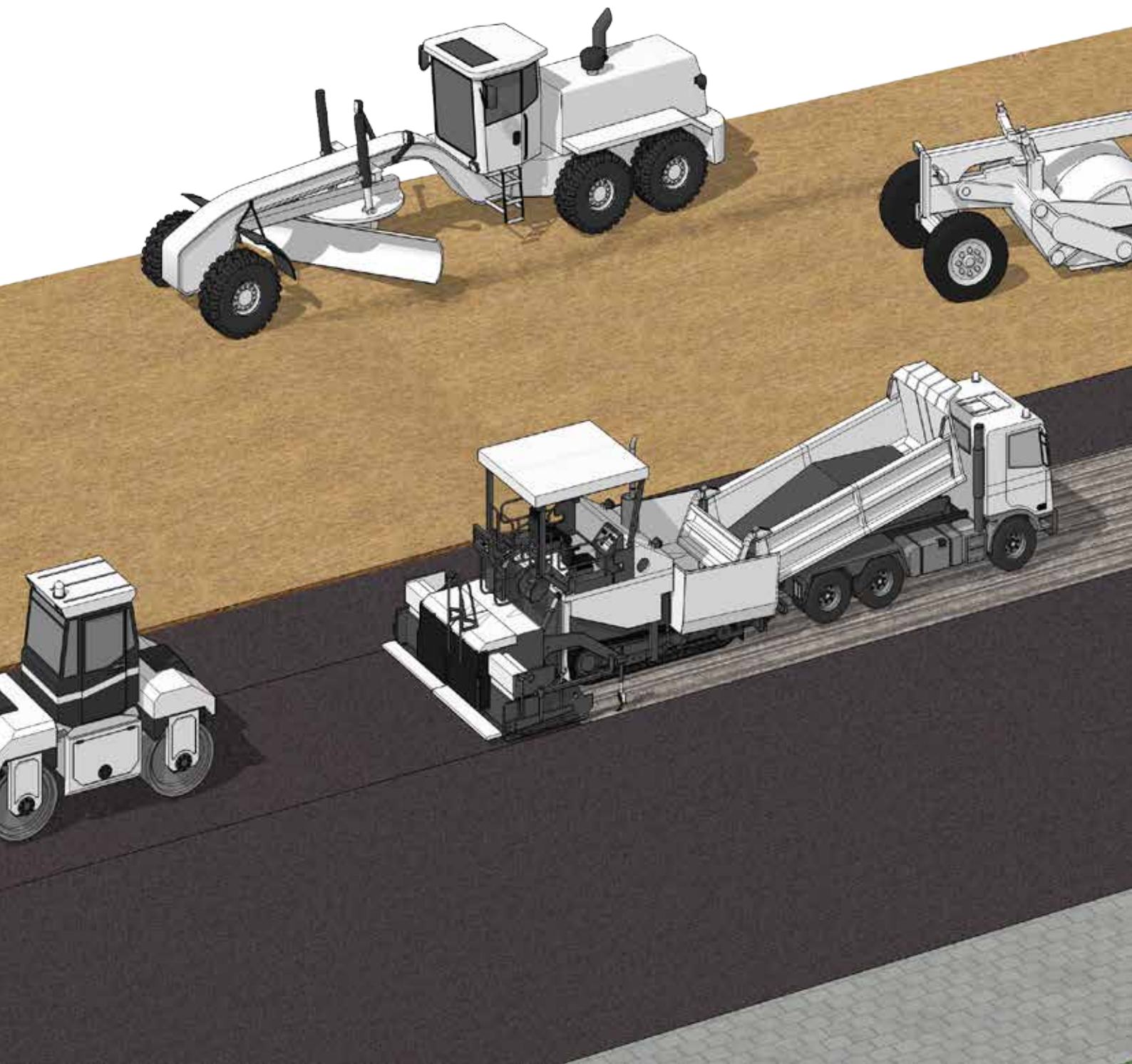
A vast range of customised solutions and extensive expertise in the industry, make Bonfiglioli the ideal partner for all manufacturers of road machinery.

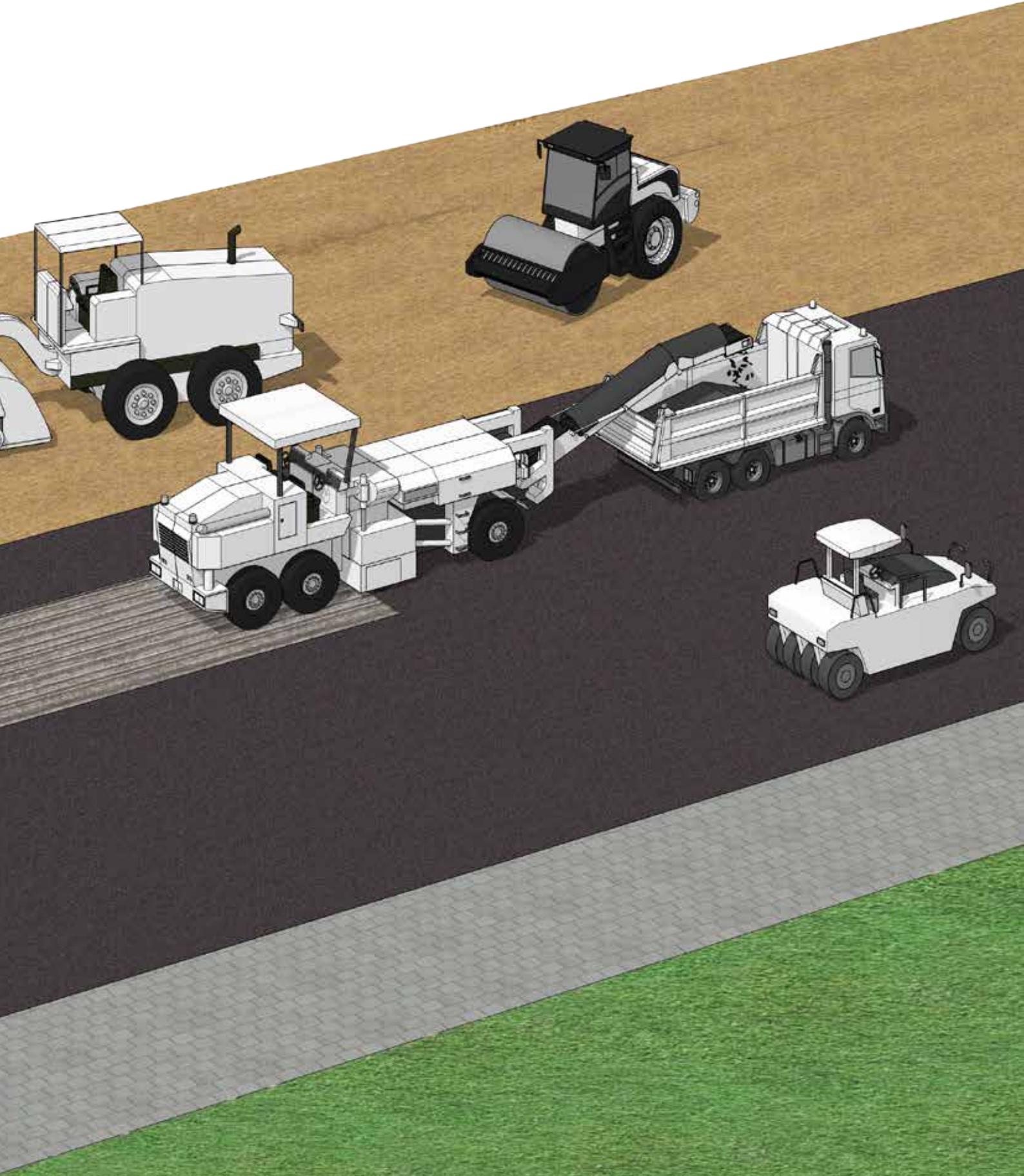




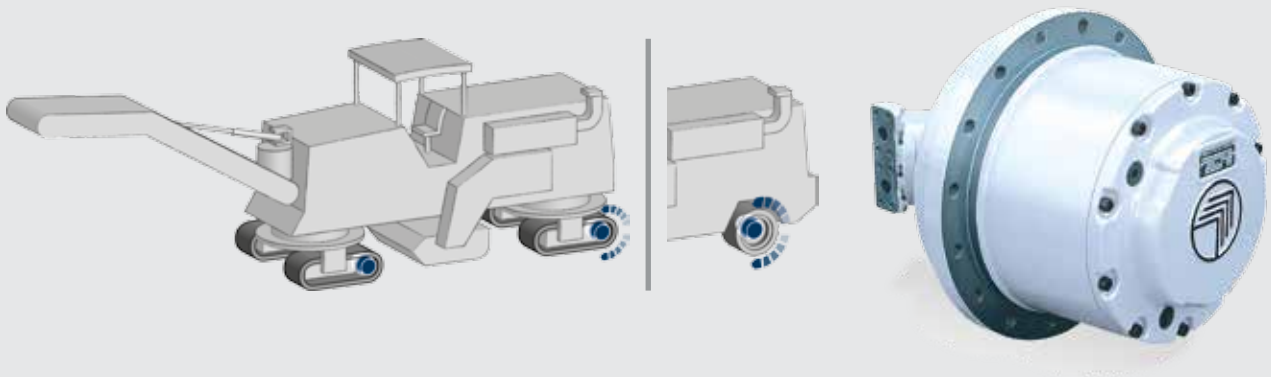
# Bonfiglioli road machinery

Drives for road machinery





## Travel solutions for milling machines.



### 700C

Track drives (from 5 to 45 tons) and Wheel drives (from 8 to 20 tons)

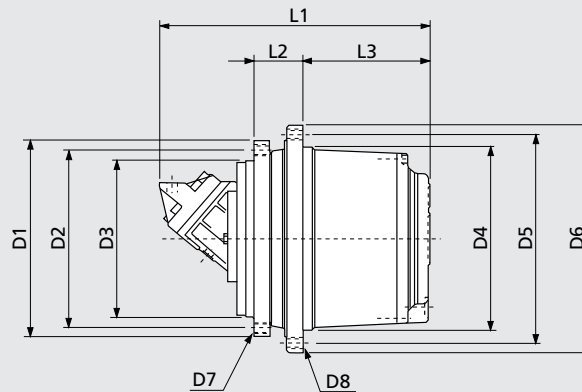
Any milling machine, no matter how big or small, will find the suitable travel drive within the range of the 700C series.

All units available with a failsafe parking brake and for most cartridge type fixed or variable displacement hydraulic motors.

| Type  | Torque (Nm) |
|-------|-------------|
| 703 C | 4000        |
| 705 C | 10000       |
| 706 C | 18000       |
| 710 C | 36000       |

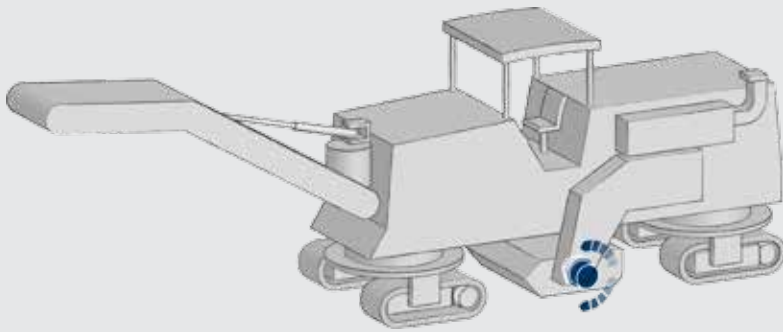


| TYPE                 | WEIGHT  | MAX. MILLING WIDTH | MAX. MILLING DEPTH | OUTPUT TORQUE | RATIOS   | MOTOR TYPE |
|----------------------|---------|--------------------|--------------------|---------------|----------|------------|
|                      | tons    | mm                 | mm                 | Nm            | 1:       |            |
| 703 C - Track Drives | 5 ÷ 8   | 500                | 160                | 4000          | 19 ÷ 40  | high speed |
| 703 C - Wheel Drives | up to 8 | 500                | 160                | 4000          | 19 ÷ 40  |            |
| 705 C - Track Drives | 8 ÷ 25  | 1300               | 300                | 9000          | 41 ÷ 53  |            |
| 705 C - Wheel Drives | 8 ÷ 20  | 1000               | 280                | 9000          | 41 ÷ 53  |            |
| 706 C - Track Drives | 25 ÷ 36 | 2000               | 300                | 16000         | 35 ÷ 68  |            |
| 710 C - Track Drives | 36 ÷ 45 | 2200               | 350                | 36000         | 55 ÷ 166 |            |



| Tipo  | D1  | D2  | D3  | D4  | D5  | D6  | D7           | D8           | L1                   | L2  | L3  |
|-------|-----|-----|-----|-----|-----|-----|--------------|--------------|----------------------|-----|-----|
| 703 C | 270 | 230 | 190 | 200 | 240 | 280 | M16x2 n°8    | M20x1.5 n°8  | Depend on motor type | 72  | 128 |
| 705 C | 270 | 230 | 190 | 220 | 260 | 300 | M16x2 n°12   | M16x2 n°16   |                      | 72  | 158 |
| 706 C | 330 | 300 | 270 | 280 | 330 | 370 | M16x2 n°18   | M16x2 n°18   |                      | 115 | 190 |
| 710 C | 375 | 340 | 300 | 350 | 400 | 435 | M20x2.5 n°16 | M20x2.5 n°16 |                      | 91  | 243 |

## Drum drives for milling machines.



### 700C

#### Drum drives

**Cold Planers and Milling machine with the following features:**

- Machine weight from 15 to 55 tons
- Engine power from 200 to 550 kW
- Rotor width from 1.0 to 2.5 m
- Rotor tip speed from 4 to 6 m/s

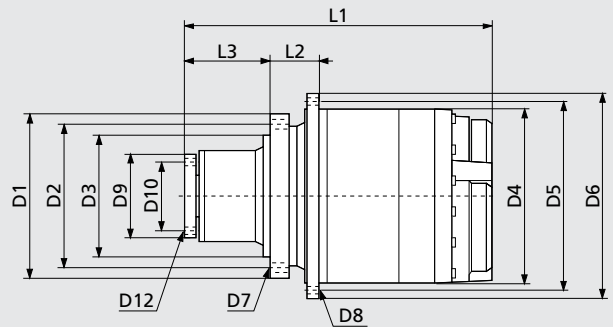
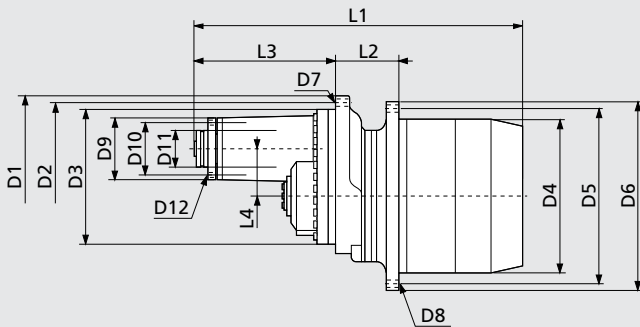
**Planetary gearbox specifically designed for drum drive:**

- Dual stage planetary reduction
- Integrated pulley support shaft with reinforced bearings
- Optimized housing design for improved lubrication performance
- Offset input available for increased cutting depth
- Integrated cooling system (optional)

| Type     | Torque (Nm) |
|----------|-------------|
| 710 C2 H | 20000       |
| 713 C2 H | 25000       |
| 716 C2 H | 45000       |

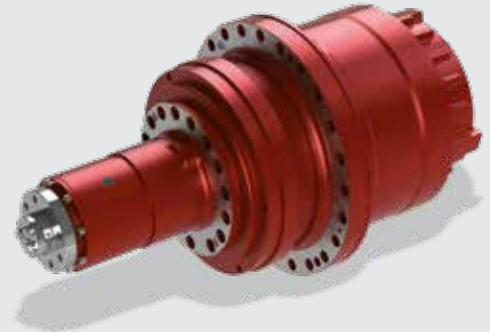
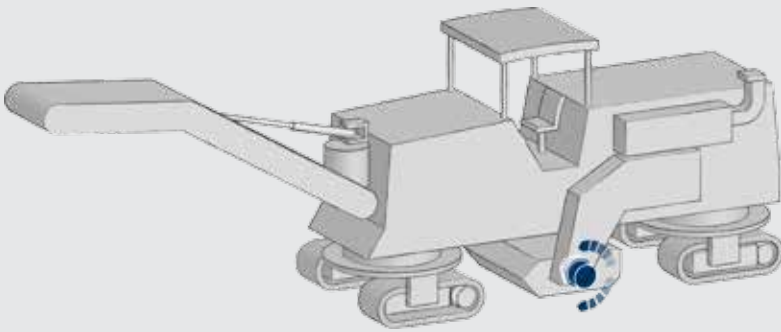


| TYPE     | RATIOS           | MAX CUTTING TORQUE | MAX INPUT POWER | BEARINGS LOAD RATINGS |               | VERSION |
|----------|------------------|--------------------|-----------------|-----------------------|---------------|---------|
|          |                  |                    |                 | C dyn. (kN)           | C0 stat. (kN) |         |
|          | 1:               | Nm                 | kW              |                       |               |         |
| 710 C2 H | 16               | 20000              | 200             | 360                   | 760           | Offset  |
| 713 C2 H | 16.4 - 19 - 22.9 | 25000              | 220             | 473                   | 950           | Offset  |
| 716 C2 H | 18.5 - 21.8      | 45000              | 380             | 484                   | 1000          | In line |



| TYPE     | VERS.   | D1  | D2  | D3     | D4  | D5  | D6  | D7           | D8       | D9  | D10 | D11 | D12          | L1  | L2  | L3    | L4  |
|----------|---------|-----|-----|--------|-----|-----|-----|--------------|----------|-----|-----|-----|--------------|-----|-----|-------|-----|
| 710 C2 H | Offset  | 350 | 310 | 270    | 350 | 400 | 440 | M20x2.5 n°24 | Ø22 n°22 | 145 | 122 | 80  | M12x1.75 n°8 | 811 | 195 | 265   | 95  |
| 713 C2 H | Offset  | 420 | 385 | 350    | 400 | 450 | 490 | M20x2.5 n°23 | Ø22 n°23 | 160 | 130 | 95  | M12x1.75 n°8 | 834 | 160 | 325   | 120 |
| 716 C2 H | In line | 435 | 381 | 323.85 | 460 | 500 | 540 | M20x2.5 n°23 | Ø22 n°24 | 240 | 160 | -   | M16x2 n°6    | 799 | 125 | 224.5 | -   |

# Drum drives for milling machines.



## FA Drum drives

**Cold Planers and Milling machine with the following features:**

- Machine weight from 15 to 70 tons
- Engine power from 80 to 1200 kW
- Rotor width from 1.0 to 2.5 m
- Rotor tip speed from 4 to 6 m/s

**Planetary gearbox specifically designed for drum drive:**

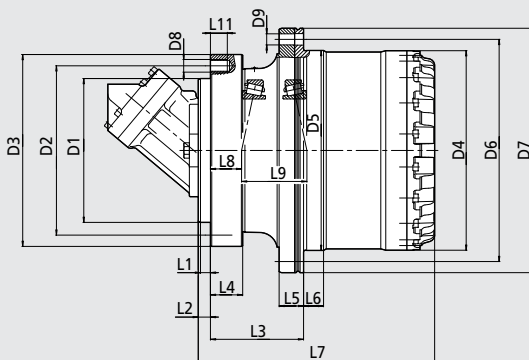
- Dual stage planetary reduction
- Integrated pulley support shaft with reinforced bearings
- Optimized housing design for improved lubrication performance
- Offset input available for increased cutting depth
- Integrated cooling system (optional)

The FA series is part of the Bonfiglioli O&K Antriebstechnik product range.

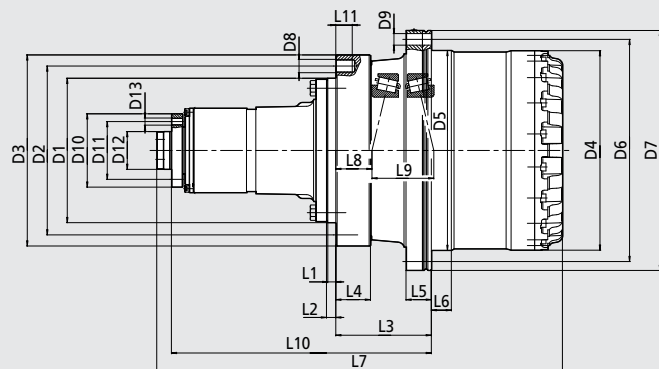
| Type   | Max. cutting torque (Nm) |
|--------|--------------------------|
| FA 30  | 8500                     |
| FA 40  | 12000                    |
| FA 55  | 16000                    |
| FA 80  | 23000                    |
| FA 100 | 32000                    |
| FA 130 | 38000                    |
| FA 200 | 47000                    |
| FA 360 | 84000                    |
| FA 800 | 115000                   |

| TYPE   | RATIOS         | MAX CUTTING TORQUE | MAX INPUT POWER | BEARINGS LOAD RATINGS |               | VERSION <sup>(1)</sup> |
|--------|----------------|--------------------|-----------------|-----------------------|---------------|------------------------|
|        |                |                    |                 | C dyn. (kN)           | C0 stat. (kN) |                        |
|        | 1:             | Nm                 | kW              |                       |               |                        |
| FA 30  | 19-22          | 8500               | 80              | 132/194               | 255/325       | ST                     |
| FA 40  | 19             | 12000              | 110             | 224                   | 405           | ST                     |
| FA 40  | 19             | 12000              | 110             | 224                   | 405           | MI                     |
| FA 55  | 16-19-22       | 16000              | 150             | 224                   | 405           | ST                     |
| FA 55  | 16-19-22       | 16000              | 150             | 224                   | 405           | MI                     |
| FA 80  | 19             | 23000              | 220             | 300                   | 570           | ST                     |
| FA 100 | 14-21-22-26    | 32000              | 300             | 498                   | 1010          | ST                     |
| FA 100 | 14-21-22-26    | 32000              | 300             | 498                   | 1010          | MI                     |
| FA 130 | 14-18-21-22-26 | 38000              | 400             | 750                   | 1290          | ST                     |
| FA 130 | 14-18-21-22-26 | 38000              | 400             | 750                   | 1290          | MI                     |
| FA 200 | 20-24          | 47000              | 500             | 787                   | 1650          | ST                     |
| FA 200 | 20-24          | 47000              | 500             | 787                   | 1650          | MI                     |
| FA 360 | 25             | 84000              | 880             | 1040                  | 2450          | ST                     |
| FA 800 | 24             | 115000             | 1200            | 4300                  | 9650          | ST                     |

(1) **ST** = Standard Input / **MI** = Mechanical Input (Hydraulic Motor)



STANDARD INPUT VERSION - **ST**

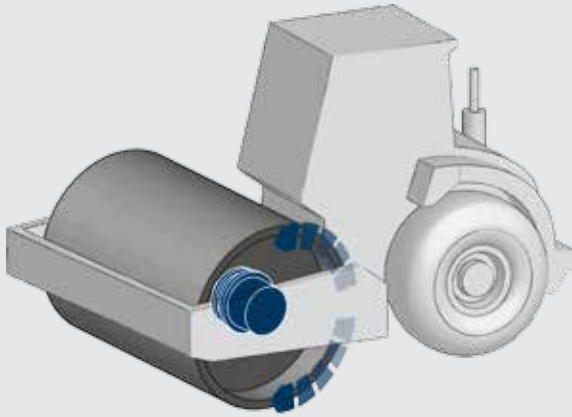


MECHANICAL INPUT VERSION - **MI**

| TYPE   | L1 | L2  | L3  | L4  | L5 | L6   | L7    | L8   | L9    | L10 | L11 | R1         | R2  | D1    | D2  | D3   | D4    | D5   | D6   | D7   | D8      | D9      | Qty. D8/D9 | D10 | D11 | D12              | D13   | Qty. D13 |
|--------|----|-----|-----|-----|----|------|-------|------|-------|-----|-----|------------|-----|-------|-----|------|-------|------|------|------|---------|---------|------------|-----|-----|------------------|-------|----------|
| FA 30  | 13 | 25  | 75  | 15  | 29 | 25   | 278.5 | 28   | 89    | -   | 15  | 2.5        | 2.5 | -     | -   | -    | 269   | 270  | 305  | 335  | M16x2   | 17.5    | 18/18      | -   | -   | -                | -     | -        |
| FA 40  | 12 | 35  | 91  | 21  | 34 | 26   | 327   | 38   | 100   | -   | 21  | 2.5        | 2.5 | 270   | 310 | 345  | 294   | 295  | 335  | 370  | M20x1.5 | 17.5    | 16/20      | -   | -   | -                | -     | -        |
| FA 40  | 10 | 10  | 125 | 55  | 32 | 26   | 631.5 | 72   | 100   | 402 | 55  | 1          | 2.5 | 270   | 310 | 360  | 294   | 295  | 335  | 370  | M20x1.5 | 17.5    | 16/20      | 138 | 110 | 80               | M16x2 | 6        |
| FA 55  | 12 | 25  | 110 | 24  | 34 | 30   | 374   | 64   | 113   | -   | 24  | 1          | 2.5 | 280   | 325 | 360  | 329   | 350  | 400  | 435  | M20x1.5 | 22      | 24/20      | -   | -   | -                | -     | -        |
| FA 55  | 18 | 18  | 136 | 50  | 34 | 30   | 688.5 | 90   | 113   | 421 | 50  | 1          | 2.5 | 280   | 325 | 360  | 329   | 350  | 400  | 435  | M20x1.5 | 22      | 24/20      | 138 | 110 | 80               | M16x2 | 6        |
| FA 80  | 20 | 35  | 90  | 22  | 35 | 24   | 414.5 | 34   | 123   | -   | 22  | 4          | 2.5 | 330   | 370 | 410  | 374   | 400  | 450  | 490  | M24x2   | 25      | 20/20      | -   | -   | -                | -     | -        |
| FA 100 | 35 | 35  | 165 | 28  | 51 | 43   | 461   | 32   | 139   | -   | 28  | 12/60      | 5   | 390   | 460 | 500  | 407   | 408  | 460  | 502  | M24x2   | 26      | 30/24      | -   | -   | -                | -     | -        |
| FA 100 | 8  | 8   | 182 | 28  | 40 | 43   | 843.5 | 27   | 138   | 540 | 28  | 1.6        | 2.5 | 325   | 380 | 415  | 407   | 408  | 460  | 502  | M20x2.5 | 26      | 12/12      | 165 | 130 | 85               | M16x2 | 8        |
| FA 130 | 18 | 20  | 215 | 78  | 57 | 45   | 530   | 81.4 | 139.2 | -   | 37  | 2          | 2   | 325   | 380 | 430  | 449   | 450  | 500  | 540  | M30x2.5 | 26      | 12/24      | -   | -   | -                | -     | -        |
| FA 130 | 18 | 20  | 215 | 78  | 57 | 45   | 913   | 81.4 | 139.2 | 585 | 37  | 2          | 2   | 325   | 380 | 430  | 449   | 450  | 500  | 540  | M30x3.5 | 26      | 12/24      | 165 | 130 | 85 <sub>k6</sub> | M16x2 | 8        |
| FA 200 | 20 | 25  | 160 | 102 | 58 | 22   | 603.5 | 75.8 | 149.2 | -   | 37  | 2          | 2   | 323.8 | 381 | 482  | 540   | 605  | 635  | 663  | M30x2   | 18      | 12/24      | -   | -   | -                | -     | -        |
| FA 200 | 20 | 25  | 160 | 102 | 58 | 22   | 890.5 | 75.8 | 149.2 | 438 | 37  | 2          | 2   | 323.8 | 381 | 482  | 540   | 605  | 635  | 663  | M30x2   | 18      | 12/24      | 165 | 130 | 85 <sub>k6</sub> | M16x2 | 8        |
| FA 360 | 35 | 100 | 130 | 40  | 60 | 80.5 | 657.5 | 75.1 | 214.8 | -   | 40  | 18°/100/16 | 10  | 580   | 680 | 735  | 649.5 | 650  | 720  | 775  | M30x3.5 | M30x3.5 | 30/30      | -   | -   | -                | -     | -        |
| FA 800 | 20 | 25  | 229 | 60  | 95 | 89   | 981   | (*)  | (*)   | -   | 60  | 6          | 8   | 830   | 980 | 1050 | 930   | 1040 | 1250 | 1329 | M30x2   | M30x2   | 48/48      | -   | -   | -                | -     | -        |

(\*) Special bearing

# Travel and Track drives solutions for soil compactor machines.



## 700C

Front drum drives from 2.5 to 25 tons.

Any soil compactor machine, no matter how big or small, will find the suitable travel drive within the range of the 700C series. All units available with a failsafe parking brake and for most cartridge type fixed or variable displacement hydraulic motors.

| Type  | Torque (Nm) |
|-------|-------------|
| 703 C | 4000        |
| 705 C | 10000       |
| 706 C | 18000       |
| 707 C | 26000       |
| 709 C | 30000       |
| 710 C | 36000       |
| 713 C | 60000       |
| 715 C | 85000       |



## 700CT

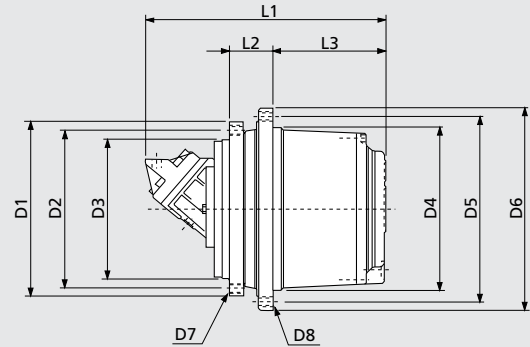
Track drive gearmotors

Extreme compactness, lightweight, efficiency and smooth operation are the key features of the 700CT series track drives, powered by integrated axial piston hydraulic motors and developed with Danfoss hydraulic.

| Type     | Torque (Nm) |
|----------|-------------|
| 702 C2 T | 3500        |
| 704 C2 T | 5000        |
| 705 C2 T | 9000        |
| 706 C2 T | 12500       |

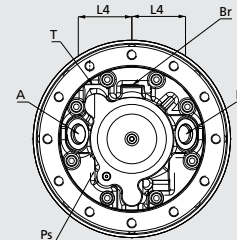
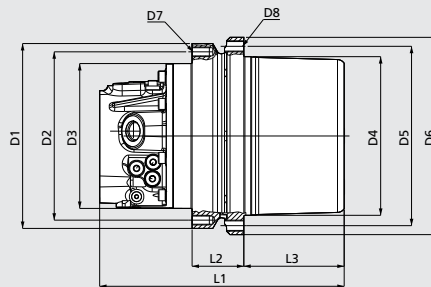
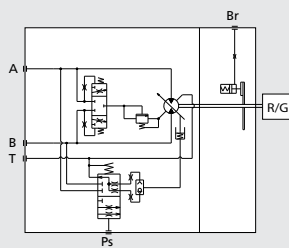


| TYPE  | WEIGHT  | OUTPUT TORQUE | RATIOS   | MOTOR TYPE |
|-------|---------|---------------|----------|------------|
|       | tons    | Nm            | 1:       |            |
| 703 C | 2.5 ÷ 5 | 4000          | 19 ÷ 40  | high speed |
| 705 C | 5 ÷ 7   | 8000          | 41 ÷ 53  | high speed |
| 706 C | 7 ÷ 9   | 14000         | 35 ÷ 44  | high speed |
| 707 C | 9 ÷ 12  | 26000         | 55 ÷ 120 | high speed |
| 709 C | 12 ÷ 16 | 30000         | 55 ÷ 147 | high speed |
| 710 C | 16 ÷ 18 | 36000         | 55 ÷ 166 | high speed |
| 713 C | 18 ÷ 20 | 50000         | 56 ÷ 147 | high speed |
| 715 C | 20 ÷ 25 | 80000         | 62 ÷ 156 | high speed |



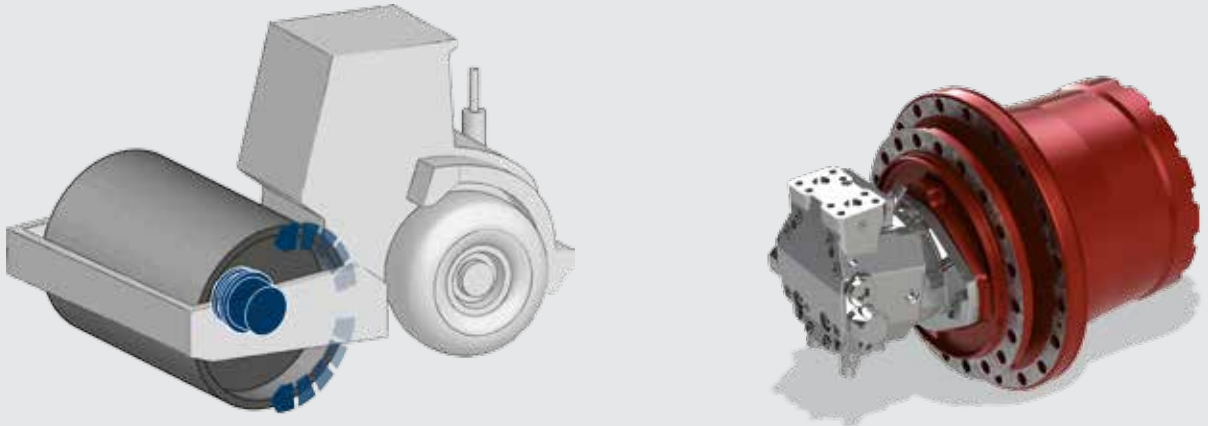
| TYPE  | D1  | D2  | D3  | D4  | D5  | D6  | D7           | D8           | L1                   | L2  | L3  |
|-------|-----|-----|-----|-----|-----|-----|--------------|--------------|----------------------|-----|-----|
| 703 C | 270 | 230 | 190 | 200 | 240 | 280 | M16x2 n°8    | M20x1.5 n°8  | Depend on motor type | 72  | 128 |
| 705 C | 270 | 230 | 190 | 220 | 260 | 300 | M16x2 n°12   | M16x2 n°16   |                      | 72  | 158 |
| 706 C | 330 | 300 | 270 | 280 | 330 | 370 | M16x2 n°18   | M16x2 n°18   |                      | 115 | 190 |
| 707 C | 317 | 285 | 240 | 300 | 340 | 370 | M20x2.5 n°20 | M16x2 n°20   |                      | 82  | 233 |
| 709 C | 375 | 340 | 300 | 330 | 370 | 400 | M20x2.5 n°16 | M16x2 n°30   |                      | 91  | 243 |
| 710 C | 375 | 340 | 300 | 350 | 400 | 435 | M20x2.5 n°16 | M20x2.5 n°16 |                      | 91  | 243 |
| 711 C | 425 | 325 | 290 | 410 | 455 | 490 | M20x2.5 n°24 | M20x2.5 n°24 |                      | 110 | 265 |
| 713 C | 425 | 325 | 290 | 410 | 455 | 490 | M20x2.5 n°24 | M20x2.5 n°24 |                      | 110 | 280 |
| 715 C | 500 | 460 | 420 | 460 | 510 | 550 | M20x2.5 n°24 | M20x2.5 n°24 |                      | 130 | 315 |

| TYPE     | WEIGHT    | OUTPUT TORQUE | RATIOS  | MOTOR TYPE |
|----------|-----------|---------------|---------|------------|
|          | tons      | Nm            | 1:      |            |
| 702 C2 T | 2.5 - 3.5 | 3500          | 15 ÷ 22 | high speed |
| 704 C2 T | 3.5 - 5   | 5000          | 18      | high speed |
| 705 C2 T | 5 - 7     | 9000          | 25 ÷ 30 | high speed |
| 706 C2 T | 7 - 9     | 12500         | 53      | high speed |



| TYPE     | D1  | D2  | D3  | D4  | D5  | D6  | D7         | D8         | L1  | L2  | L3  | L4 | A-B            | T           | PS           |
|----------|-----|-----|-----|-----|-----|-----|------------|------------|-----|-----|-----|----|----------------|-------------|--------------|
| 702 C2 T | 270 | 240 | 210 | 210 | 245 | 275 | M16x2 n°8  | M16x2 n°12 | 340 | 153 | 70  | 77 | 1" 1/16-12 UNF | 3/4"-16 UNF | 9/16"-18 UNF |
| 704 C2 T | 268 | 244 | 210 | 230 | 260 | 286 | M14x2 n°12 | M16x2 n°8  | 355 | 75  | 146 | 77 |                |             |              |
| 705 C2 T | 268 | 244 | 210 | 230 | 260 | 286 | M14x2 n°12 | M14x2 n°12 | 355 | 75  | 144 | 77 |                |             |              |
| 706 C2 T | 308 | 280 | 246 | 275 | 305 | 331 | M14x2 n°16 | M14x2 n°16 | 390 | 100 | 156 | 77 |                |             |              |

# Travel and Track drives solutions for soil compactor machines.

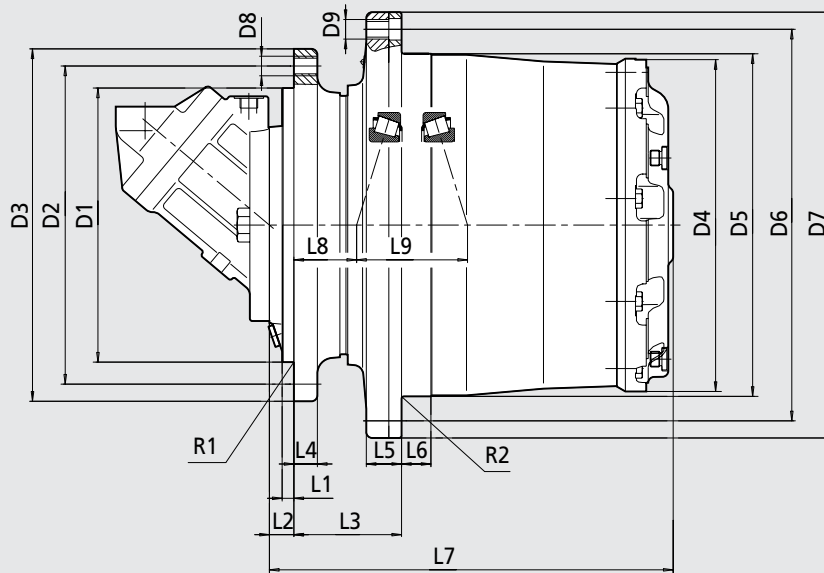


## FA Front drum drives

Any soil compactor machine, no matter how big or small, will find the suitable travel drive within the range of the F30 series. All units available with a failsafe parking brake and for most cartridge type fixed or variable displacement hydraulic motors. The FA series is part of the Bonfiglioli O&K Antriebstechnik product range.

| Type   | Output torque * (kNm) |
|--------|-----------------------|
| F10A   | 10                    |
| FD20   | 20                    |
| F30    | 30                    |
| F40    | 40                    |
| F55    | 55                    |
| F80    | 80                    |
| F80XR  | 80                    |
| F100   | 100                   |
| F100XR | 100                   |

\* Stated torques are peak values for short duration



|                               |     | F10A     | FD20                     | F30   | F40  | F55  | F80  | F80XR                                | F100   | F100XR |
|-------------------------------|-----|----------|--------------------------|---|--|--|--|--------------------------------------|--|--------|
| Ratio <sup>2</sup>            | i   | 35-51-65 | 81-90-101<br>137-171-228 | 61 (19) <sup>1</sup> -66 (32) <sup>1</sup><br>81-90-101-114<br>121-137-171<br>228-305 | 61 (19) <sup>1</sup> -66 (22) <sup>1</sup><br>81 (32) <sup>1</sup> -85-101<br>110-117-124<br>142-181 | 63 (16) <sup>1</sup> -68 (19) <sup>1</sup><br>87 (22) <sup>1</sup> -94 (32) <sup>1</sup><br>103-117-124<br>137-148-185 | 61 (19) <sup>1</sup> -81 (32) <sup>1</sup><br>101-114-121-137<br>147-171-187-206 |                                      | 77 (21) <sup>1</sup> -84 (22) <sup>1</sup><br>95 (32) <sup>1</sup> -121-142<br>175-192-226 |        |
| <b>CAPACITY OF BEARING</b>    |     |          |                          |   |  |  |  |                                      |  |        |
| C-dynamic                     | kN  | 132      | 194/194                  | 132/194   | 224  | 224  | 300  | 300                                  | 498  | 498    |
| Co-static                     | kN  | 255      | 325/315                  | 255/325   | 405  | 405  | 570  | 570                                  | 1010   | 1010   |
| Weight <sup>4</sup>           | kg  | 45       | 72                       | 94  | 115  | 165  | 240  | 240                                  | 330  | 341    |
| <b>MULTI-DISK BRAKE</b>       |     |          |                          |   |  |  |  |                                      |  |        |
| Locking torque                | Nm  | 200      | 300                      | 300 (255; 400) <sup>3</sup>   | 420  | 420 (390; 500) <sup>3</sup>  | 600 (375; 550;<br>1000) <sup>3</sup>   | 600 (375; 550;<br>1000) <sup>3</sup> | 600 (900) <sup>3</sup>   | 600    |
| Release pressure min.         | bar | 17       | 16                       | 16 (16; 22) <sup>3</sup>  | 18   | 15 (15; 21) <sup>3</sup>   | 18 (18; 19; 28) <sup>3</sup>   | 18 (18; 19; 28) <sup>3</sup>         | 15 (13) <sup>3</sup>   | 15     |
| Hydraulic motor plug in fixed | ccm | 28-30-32 | 28-30-32                 | 28-30-32-40<br>45-56-60-63  | 40-45-56-60-63   | 80-90  | 80-90-107-110<br>25-160-180  | 80-90-107-110-<br>125-160-180        | 107-125-160-180  |        |
| Plug in variable              | ccm | 25-45    | 28-45                    | 28-45-55-60   | 55-60  | 80   | 80-107-110-160   |                                      | 107-110-160  |        |
| <b>DIMENSIONS</b>             |     |          |                          |   |  |  |  |                                      |  |        |
| L1                            | mm  | 10       | 10                       | 13  | 16   | 12   | 20   | 20                                   | 35/37  | 22     |
| L2                            | mm  | 30       | 41                       | 25/22   | 16   | 25   | 35   | 35                                   | 35/37  | 35     |
| L3                            | mm  | 72       | 75                       | 75  | 91   | 110  | 90   | 90                                   | 165  | 148    |
| L4                            | mm  | 13.5     | 15                       | 15  | 21   | 24   | 22   | 22                                   | 28   | 29     |
| L5                            | mm  | 15       | 28                       | 29  | 34   | 36   | 37   | 37                                   | 53   | 53     |
| L6                            | mm  | 16       | 25                       | 25  | 26   | 30   | 24   | 23                                   | 43   | 30     |
| L7                            | mm  | 230      | 300                      | 323/320   | 338  | 413  | 415  | 414.5                                | 461/463  | 463    |
| L8                            | mm  | 28       | 15.3                     | 28.5  | 38   | 64   | 34   | 68.5                                 | 32   | 32     |
| L9                            | mm  | 79       | 86.3                     | 89  | 100  | 113  | 123  | 123                                  | 139  | 139    |
| R1                            | mm  | 0.6      | 2.5                      | 2.5   | 2.5  | 1  | 4  | 4                                    | 10 (12)/60   | 2.5    |
| R2                            | mm  | 0.6      | 2.5                      | 2.5   | 2.5  | 2.5  | 2.5  | 2.5                                  | 5  | 2.5    |
| D1                            | mm  | 190      | 240                      | 240   | 240  | 280  | 330  | 330                                  | 390  | 380    |
| D2                            | mm  | 230      | 275                      | 275   | 285  | 325  | 370  | 370                                  | 460  | 430    |
| D3                            | mm  | 256      | 304                      | 304   | 320  | 360  | 410  | 410                                  | 500  | 480    |
| D4                            | mm  | 216      | 250                      | 269   | 294  | 340  | 374  | 374                                  | 407  | 407    |
| D5                            | mm  | 220      | 270                      | 270   | 295  | 350  | 400  | 400                                  | 408  | 430    |
| D6                            | mm  | 260      | 305                      | 305   | 335  | 400  | 450  | 450                                  | 460  | 480    |
| D7                            | mm  | 290      | 335                      | 335   | 370  | 435  | 490  | 490                                  | 500  | 520    |
| D8                            | mm  | M16x2    | M16x2                    | M16x2   | M20x1.5  | M20x1.5  | M24x2  | M20x1.5                              | M24x2  | M24x3  |
| D9                            | mm  | M16x2    | M16x2                    | M16x2   | M20x1.5  | M20x1.5  | M24x2  | M20x1.5                              | M24x2  | M24x3  |
| Qty. D8 / D9                  |     | 12/8     | 18/18                    | 18/18   | 20/20  | 24/20  | 20/20  | 20/20                                | 30/24  | 20/20  |

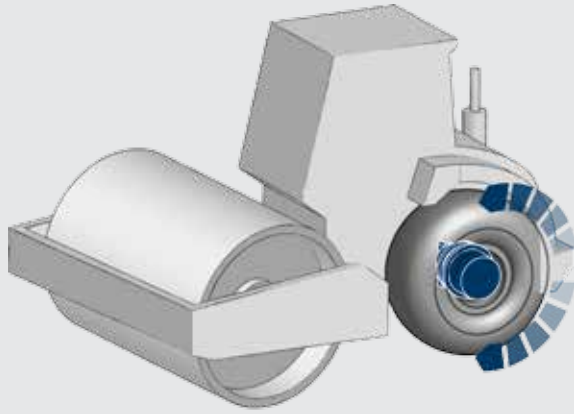
1) 2-stage

2) Other ratios on demand

3) Optional brake torques

4) Without Hydraulic motor

# Wheel drives for soil compactor machines from 2.5 to 20 tons.



## 600

### Wheel drives

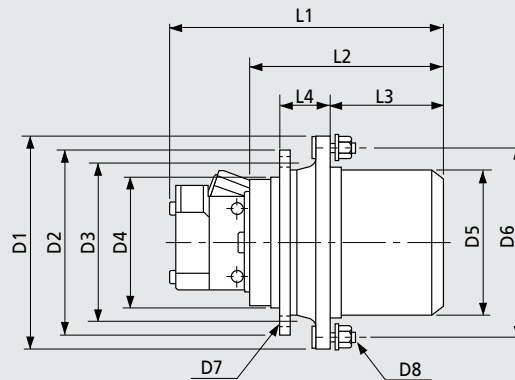
Whether you are designing a wheeled agriculture or construction equipment like a soil compactor machine, the 600 series is the right choice for your vehicle.

A disengagement device to tow the vehicle in an emergency is optionally available.

| Type  | Torque (Nm) |
|-------|-------------|
| 603 W | 4000        |
| 605 W | 7000        |
| 606 W | 12000       |
| 607 W | 17000       |
| 609 W | 23000       |

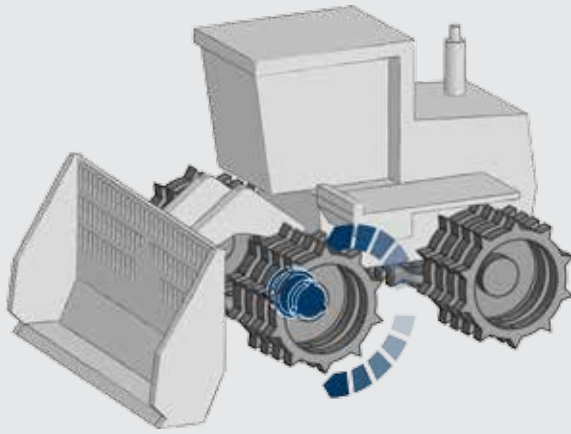


| TYPE  | WEIGHT  | OUTPUT TORQUE | RATIOS   | MOTOR TYPE |
|-------|---------|---------------|----------|------------|
|       | tons    | Nm            | 1:       |            |
| 603 W | 2.5 ÷ 5 | 4000          | 19 ÷ 24  | high speed |
| 605 W | 5 ÷ 7   | 8000          | 41 ÷ 53  | high speed |
| 606 W | 7 ÷ 9   | 14000         | 35 ÷ 44  | high speed |
| 607 W | 9 ÷ 12  | 17000         | 55 ÷ 120 | high speed |
| 607 W | 12 ÷ 16 | 17000         | 55 ÷ 120 | high speed |
| 609 W | 16 ÷ 18 | 23000         | 55 ÷ 147 | high speed |
| 609 W | 18 ÷ 20 | 23000         | 62 ÷ 147 | high speed |



| TYPE  | D1  | D2  | D3  | D4  | D5  | D6  | D7           | D8           | L1                   | L2  | L3  | L4  |
|-------|-----|-----|-----|-----|-----|-----|--------------|--------------|----------------------|-----|-----|-----|
| 603 W | 280 | 270 | 230 | 190 | 200 | 245 | M16x2 n°8    | M18x1.5 n°6  | Depend on motor type | 230 | 128 | 72  |
| 603 W | 280 | 270 | 230 | 190 | 160 | 205 | M16x2 n°8    | M18x1.5 n°6  |                      | 230 | 25  | 175 |
| 605 W | 310 | 270 | 230 | 190 | 220 | 275 | M16x2 n°8    | M20x1.5 n°6  |                      | 260 | 158 | 72  |
| 606 W | 370 | 330 | 300 | 270 | 280 | 335 | M16x2 n°18   | M22x1.5 n°10 |                      | 330 | 200 | 115 |
| 607 W | 400 | 317 | 285 | 240 | 300 | 355 | M20x2.5 n°20 | M18x1.5 n°20 |                      | 335 | 233 | 82  |
| 609 W | 435 | 375 | 340 | 300 | 350 | 400 | M20x2.5 n°16 | M22x1.5 n°16 |                      | 350 | 243 | 91  |

# Drum drives for refuse compactor machines from 18 to 40 tons.



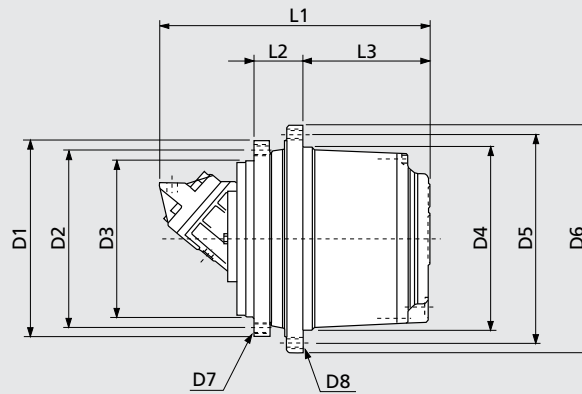
## 700C

### Travel drives

Any refuse compactor machine, no matter how big or small, will find the suitable travel drive within the range of the 700C series. All units available with a failsafe parking brake and for most cartridge type fixed or variable displacement hydraulic motors.

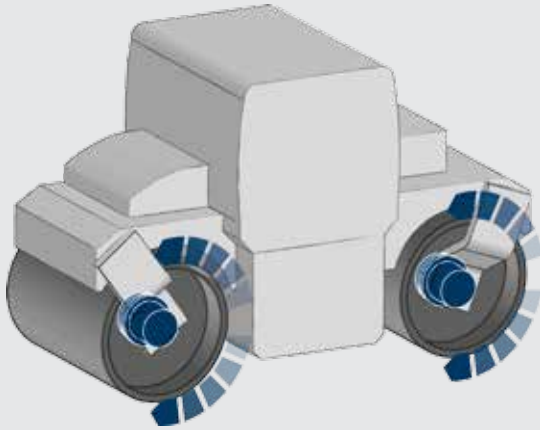
| Type     | Torque (Nm) |
|----------|-------------|
| 713 C3 B | 60000       |
| 715 C3 B | 85000       |
| 716 C3 B | 100000      |

| <b>TYPE</b> | <b>WEIGHT</b> | <b>OUTPUT TORQUE</b> | <b>RATIOS</b> | <b>MOTOR TYPE</b> |
|-------------|---------------|----------------------|---------------|-------------------|
|             | tons          | Nm                   | 1:            |                   |
| 713 C3 B    | 18 ÷ 20       | 50000                | 56 ÷ 147      | high speed        |
| 715 C3 B    | 20 ÷ 27       | 80000                | 62 ÷ 156      | high speed        |
| 716 C3 B    | 27 ÷ 40       | 95000                | 83 ÷ 174      | high speed        |



| <b>TYPE</b> | <b>D1</b> | <b>D2</b> | <b>D3</b> | <b>D4</b> | <b>D5</b> | <b>D6</b> | <b>D7</b>    | <b>D8</b>    | <b>L1</b>            | <b>L2</b> | <b>L3</b> |
|-------------|-----------|-----------|-----------|-----------|-----------|-----------|--------------|--------------|----------------------|-----------|-----------|
| 713 C3 B    | 425       | 325       | 290       | 410       | 455       | 490       | M20x2.5 n°24 | M20x2.5 n°24 | Depend on motor type | 110       | 280       |
| 715 C3 B    | 500       | 460       | 420       | 460       | 510       | 550       | M20x2.5 n°24 | M20x2.5 n°24 |                      | 130       | 315       |
| 716 C3 B    | 500       | 460       | 420       | 460       | 500       | 550       | M24x3 n°24   | M18x1.5 n°36 |                      | 165       | 308       |

## Drum drives for tandem vibratory roller machines from 1 to 20 tons.



### 700C

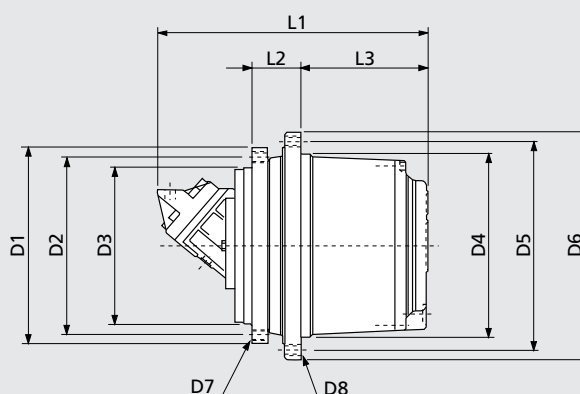
#### Travel drives

Any tandem roller machine, no matter how big or small, will find the suitable travel drive within the range of the 700C series. All units available with a failsafe parking brake and for most cartridge type fixed or variable displacement hydraulic motors.

| Type  | Torque (Nm) |
|-------|-------------|
| 700 C | 1000        |
| 701 C | 2200        |
| 703 C | 4000        |
| 705 C | 10000       |
| 706 C | 18000       |
| 707 C | 26000       |
| 709 C | 30000       |
| 710 C | 36000       |
| 713 C | 60000       |

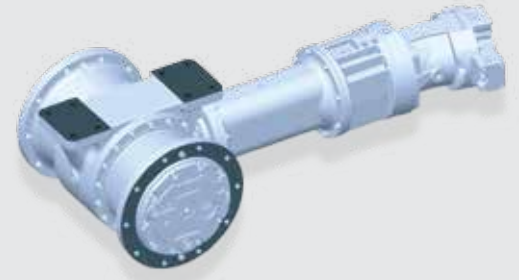
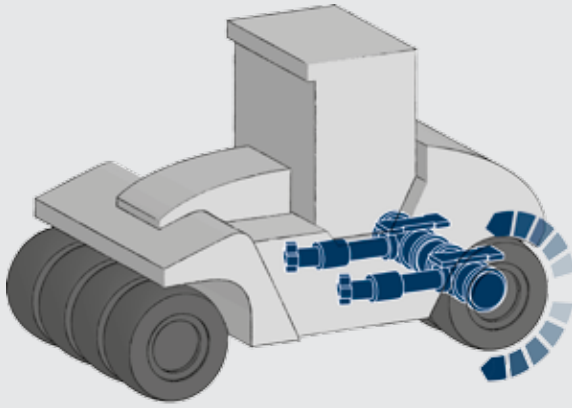


| TYPE  | WEIGHT    | OUTPUT TORQUE | RATIOS   | MOTOR TYPE |
|-------|-----------|---------------|----------|------------|
|       | tons      | Nm            | 1:       |            |
| 700 C | 1 ÷ 1.5   | 1000          | 5.25     | high speed |
| 701 C | 1.5 ÷ 2.5 | 2100          | 6.2      | high speed |
| 703 C | 2.5 ÷ 5   | 4000          | 19 ÷ 24  | high speed |
| 705 C | 5 ÷ 7.5   | 9000          | 41 ÷ 53  | high speed |
| 706 C | 7.5 ÷ 12  | 16000         | 35 ÷ 44  | high speed |
| 707 C | 12 ÷ 13   | 26000         | 55 ÷ 120 | high speed |
| 709 C | 13 ÷ 15   | 30000         | 55 ÷ 147 | high speed |
| 710 C | 15 ÷ 17   | 36000         | 55 ÷ 166 | high speed |
| 713 C | 17 ÷ 20   | 55000         | 56 ÷ 147 | high speed |



| TYPE  | D1  | D2  | D3  | D4  | D5  | D6  | D7           | D8           | L1                   | L2  | L3  |
|-------|-----|-----|-----|-----|-----|-----|--------------|--------------|----------------------|-----|-----|
| 700 C | 195 | 175 | 155 | 160 | 180 | 200 | M10x1.5 n°8  | M10x1.5 n°8  | Depend on motor type | 40  | 80  |
| 701 C | 230 | 200 | 180 | 190 | 210 | 230 | M10x1.5 n°8  | M10x1.5 n°8  |                      | 40  | 105 |
| 703 C | 270 | 230 | 190 | 200 | 240 | 280 | M16x2 n°8    | M20x1.5 n°8  |                      | 72  | 128 |
| 705 C | 270 | 230 | 190 | 220 | 260 | 300 | M16x2 n°12   | M16x2 n°16   |                      | 72  | 158 |
| 706 C | 330 | 300 | 270 | 280 | 330 | 370 | M16x2 n°18   | M16x2 n°18   |                      | 115 | 190 |
| 707 C | 317 | 285 | 240 | 300 | 340 | 370 | M20x2.5 n°20 | M16x2 n°20   |                      | 82  | 233 |
| 709 C | 375 | 340 | 300 | 330 | 370 | 400 | M20x2.5 n°16 | M16x2 n°30   |                      | 91  | 243 |
| 710 C | 375 | 340 | 300 | 350 | 400 | 435 | M20x2.5 n°16 | M20x2.5 n°16 |                      | 91  | 243 |
| 713 C | 425 | 325 | 290 | 410 | 455 | 490 | M20x2.5 n°24 | M20x2.5 n°24 |                      | 110 | 280 |

# Wheel drives for pneumatic tyred roller machines up to 28 tons.



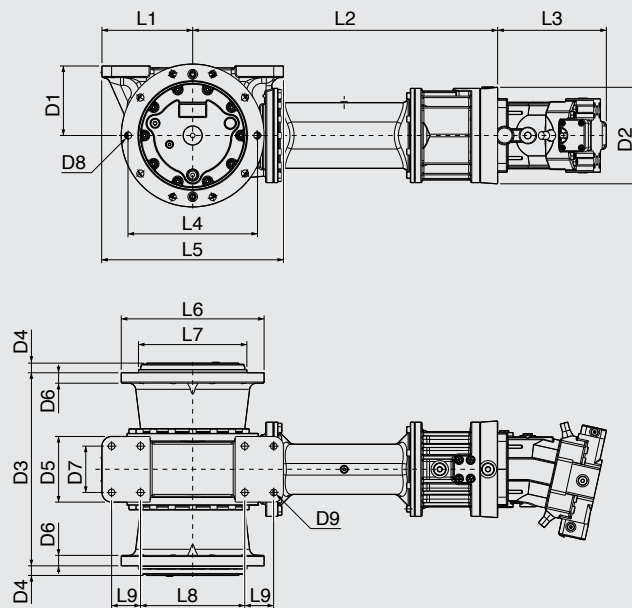
## 600 Y3

### Wheel drives

When you are designing a latest generation pneumatic tyred roller machine the integration of the unique 600 Y3 drive is the right choice for your vehicle.

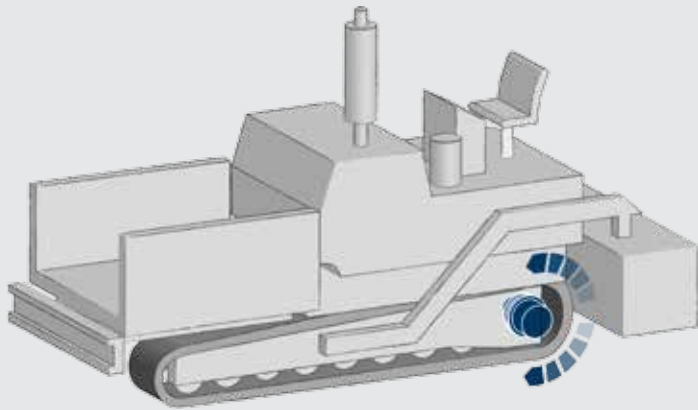
| Type   | Torque (Nm) |       |
|--------|-------------|-------|
| 605 Y3 |             | 14000 |
| 606 Y3 |             | 22000 |

| TYPE   | WEIGHT  | OUTPUT TORQUE | RATIOS | MOTOR TYPE                          |
|--------|---------|---------------|--------|-------------------------------------|
|        | tons    | Nm            | 1:     |                                     |
| 605 Y3 | 12 ÷ 18 | 14000         | 30     | axial piston, variable displacement |
| 606 Y3 | 18 ÷ 28 | 22000         | 32     |                                     |



| TYPE   | D1  | D2  | D3  | D4 | D5  | D6 | D7  | D8           | D9          | L1  | L2  | L3                   | L4  | L5  | L6  | L7    | L8  | L9 |
|--------|-----|-----|-----|----|-----|----|-----|--------------|-------------|-----|-----|----------------------|-----|-----|-----|-------|-----|----|
| 605 Y3 | 200 | 250 | 500 | 44 | 170 | 27 | 130 | M20x1.5 n°10 | M20x2.5 n°8 | 230 | 830 | Depend on motor type | 335 | 460 | 370 | 280.8 | 260 | 75 |
| 606 Y3 | 180 | 250 | 500 | 25 | 170 | 27 | 120 | M20x1.5 n°10 | M20x2.5 n°8 | 236 | 790 |                      | 335 | 471 | 370 | 280.8 | 270 | 75 |

## Travel drives solutions for paver machine.



### 700C

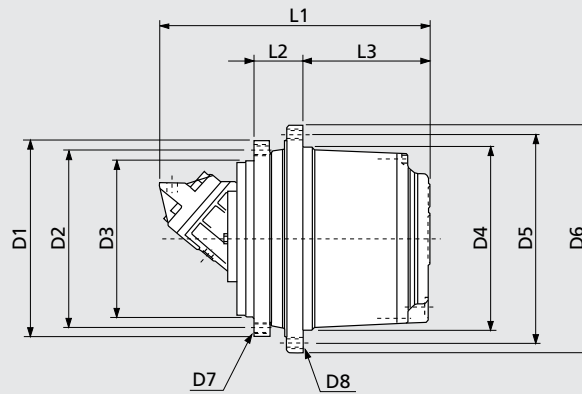
#### Track drives (from 7.5 to 25 tons)

Any crawled paver machine, no matter how big or small, will find the suitable travel drive within the range of the 700C series. All units available with a failsafe parking brake and for most cartridge type fixed or variable displacement hydraulic motors. It is also possible to offer an integrated solution including hydraulic motors.

| Type  | Torque (Nm) |
|-------|-------------|
| 706 C | 18000       |
| 707 C | 26000       |
| 709 C | 30000       |
| 710 C | 36000       |
| 713 C | 60000       |

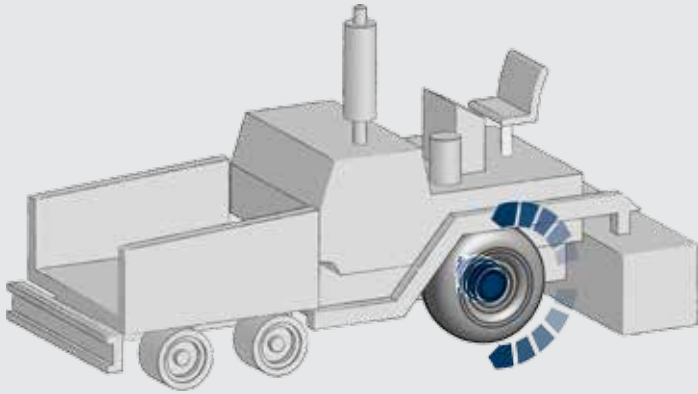


| <b>TYPE</b> | <b>WEIGHT</b> | <b>OUTPUT TORQUE</b> | <b>RATIOS</b> | <b>MOTOR TYPE</b> |
|-------------|---------------|----------------------|---------------|-------------------|
|             | tons          | Nm                   | 1:            |                   |
| 706 C       | 7.5 ÷ 12      | 16000                | 35 ÷ 44       | high speed        |
| 707 C       | 12 ÷ 13       | 26000                | 55 ÷ 120      | high speed        |
| 709 C       | 13 ÷ 15       | 30000                | 55 ÷ 147      | high speed        |
| 710 C       | 15 ÷ 17       | 36000                | 55 ÷ 166      | high speed        |
| 713 C       | 17 ÷ 20       | 60000                | 56 ÷ 147      | high speed        |



| <b>TYPE</b> | <b>D1</b> | <b>D2</b> | <b>D3</b> | <b>D4</b> | <b>D5</b> | <b>D6</b> | <b>D7</b>    | <b>D8</b>    | <b>L1</b>            | <b>L2</b> | <b>L3</b> |
|-------------|-----------|-----------|-----------|-----------|-----------|-----------|--------------|--------------|----------------------|-----------|-----------|
| 706 C       | 330       | 300       | 270       | 280       | 330       | 370       | M16x2 n°18   | M16x2 n°18   | Depend on motor type | 115       | 190       |
| 707 C       | 317       | 285       | 240       | 300       | 340       | 370       | M20x2.5 n°20 | M16x2 n°20   |                      | 82        | 233       |
| 709 C       | 375       | 340       | 300       | 330       | 370       | 400       | M20x2.5 n°16 | M16x2 n°30   |                      | 91        | 243       |
| 710 C       | 375       | 340       | 300       | 350       | 400       | 435       | M20x2.5 n°16 | M20x2.5 n°16 |                      | 91        | 243       |
| 713 C       | 425       | 325       | 290       | 410       | 455       | 490       | M20x2.5 n°24 | M20x2.5 n°24 |                      | 110       | 280       |

# Travel drives solutions for paver machine.



## 600 & 700C

Wheel drives (from 8 to 36 tons)

Any wheeled paver machine, no matter how big or small, will find the suitable travel drive within the range of the 600 series and 700 series.

All units available with a failsafe parking brake and for most cartridge type fixed or variable displacement hydraulic motors.

| Type  | Torque (Nm) |
|-------|-------------|
| 707 C | 26000       |
| 709 C | 30000       |
| 710 C | 36000       |
| 713 C | 60000       |



## 600W2/3

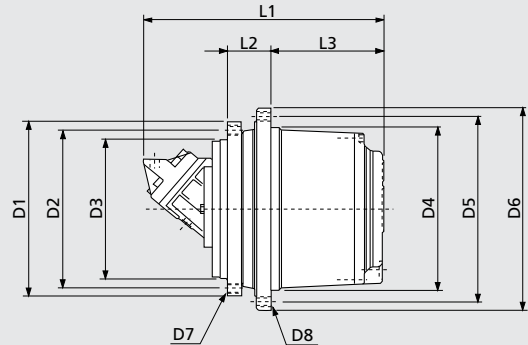
Wheel drives (from 8 to 28 tons)

This gear shift final drive is specifically designed for wheeled and tracked machines featuring a significantly different travel/operating speed ratio.

The product is the ideal solution for road paving machines, construction equipment, as well as agricultural and forestry machines.

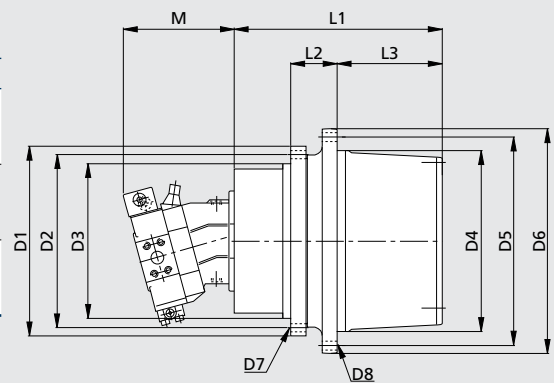
| Type    | Torque (Nm) |
|---------|-------------|
| 606W2/3 | 15000       |
| 610W2/3 | 40000       |
| 611W2/3 | 50000       |

| TYPE  | WEIGHT   | OUTPUT TORQUE | RATIOS   | MOTOR TYPE |
|-------|----------|---------------|----------|------------|
|       | tons     | Nm            | 1:       |            |
| 707 C | up to 18 | 26000         | 55 ÷ 120 | high speed |
| 709 C | 18 ÷ 25  | 30000         | 55 ÷ 147 | high speed |
| 710 C | 25 ÷ 28  | 36000         | 55 ÷ 166 | high speed |
| 713 C | 28 ÷ 35  | 60000         | 56 ÷ 147 | high speed |



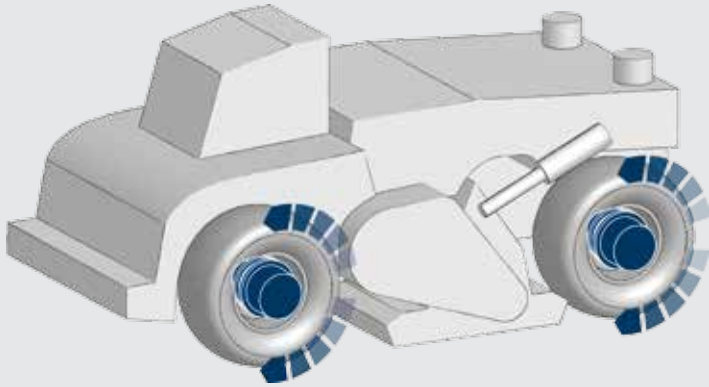
| TYPE  | D1  | D2  | D3  | D4  | D5  | D6  | D7           | D8           | L1                   | L2  | L3  |
|-------|-----|-----|-----|-----|-----|-----|--------------|--------------|----------------------|-----|-----|
| 707 C | 317 | 285 | 240 | 300 | 340 | 370 | M20x2.5 n°20 | M16x2 n°20   | Depend on motor type | 82  | 233 |
| 709 C | 375 | 340 | 300 | 330 | 370 | 400 | M20x2.5 n°16 | M16x2 n°30   |                      | 91  | 243 |
| 710 C | 375 | 340 | 300 | 350 | 400 | 435 | M20x2.5 n°16 | M20x2.5 n°16 |                      | 91  | 243 |
| 713 C | 425 | 325 | 290 | 410 | 455 | 490 | M20x2.5 n°24 | M20x2.5 n°24 |                      | 110 | 280 |

| TYPE    | WEIGHT   | OUTPUT TORQUE | RATIOS                                    | MOTOR TYPE                          |
|---------|----------|---------------|---|-------------------------------------|
|         | tons     | Nm            | 1:  |                                     |
| 606W2/3 | up to 14 | 15000         | 20 - 24 Hi speed<br>70 - 114 Lo speed     | axial piston, variable displacement |
| 610W2/3 | 18 ÷ 28  | 40000         | 20.5 - 24.5 Hi speed<br>71 - 141 Lo speed | axial piston, variable displacement |
| 611W2/3 | 28 ÷ 36  | 55000         | 35 Hi speed<br>234 Lo speed               | axial piston, variable displacement |



| TYPE    | D1  | D2  | D3  | D4  | D5  | D6  | D7           | D8           | L1  | L2  | L3  |
|---------|-----|-----|-----|-----|-----|-----|--------------|--------------|-----|-----|-----|
| 606W2/3 | 430 | 360 | 300 | 290 | 335 | 370 | M16x2 n°16   | M22x1.5 n°10 | 305 | 188 | 135 |
| 610W2/3 | 375 | 340 | 300 | 350 | 400 | 435 | M20x2.5 n°16 | M20x2.5 n°16 | 388 | 91  | 203 |
| 611W2/3 | 570 | 525 | 465 | 410 | 455 | 488 | Ø22 n°12     | M22x1.5 n°20 | 366 | 113 | 219 |

## Wheel drives for road reclaimer / soil stabilizer machines from 22 to 36 tons.



### 600

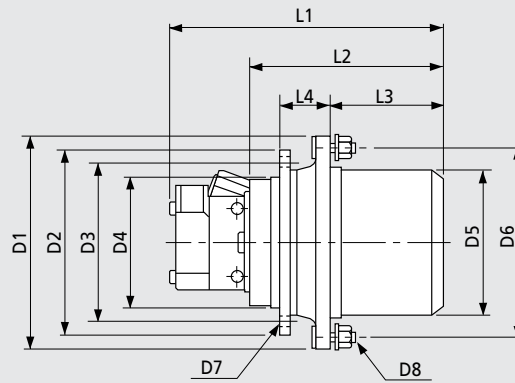
#### Wheel drives

When you are designing a road reclaimer or a soil stabilizer machine, the 600 series will guarantee you the right choice for your vehicle and the best of Bonfiglioli's technology.

A disengagement device to tow the vehicle in an emergency is optionally available.

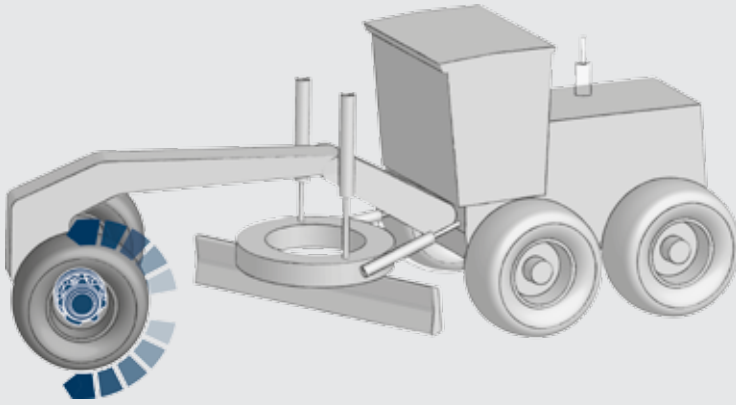
| Type  | Torque (Nm) |
|-------|-------------|
| 610 W | 30000       |
| 611 W | 45000       |
| 613 W | 60000       |

| <b>TYPE</b> | <b>WEIGHT</b> | <b>OUTPUT TORQUE</b> | <b>RATIOS</b> | <b>MOTOR TYPE</b> |
|-------------|---------------|----------------------|---------------|-------------------|
|             | tons          | Nm                   | 1:            |                   |
| 610 W       | 22 ÷ 36       | 30000                | 65 ÷ 123      | high speed        |
| 611 W       | 22 ÷ 36       | 45000                | 71 ÷ 127      | high speed        |
| 613 W       | 22 ÷ 36       | 60000                | 71 ÷ 126      | high speed        |



| <b>TYPE</b> | <b>D1</b> | <b>D2</b> | <b>D3</b> | <b>D4</b> | <b>D5</b> | <b>D6</b> | <b>D7</b>    | <b>D8</b>       | <b>L1</b>            | <b>L2</b> | <b>L3</b> | <b>L4</b> |
|-------------|-----------|-----------|-----------|-----------|-----------|-----------|--------------|-----------------|----------------------|-----------|-----------|-----------|
| 610 W       | 435       | 375       | 340       | 300       | 350       | 400       | M20x2.5 n°16 | M22x1.5 n°16    | Depend on motor type | 350       | 243       | 91        |
| 611 W       | 490       | 425       | 325       | 290       | 410       | 455       | M20x2.5 n°24 | M20x1.5 n°24    |                      | 375       | 242       | 110       |
| 613 W       | 490       | 425       | 325       | 280       | 410       | 455       | M20x2.5 n°24 | 3/4-16 UNF n°24 |                      | 405       | 275       | 110       |

## Front wheel drive with clutch for grader from 14 to 26 tons.



### 600

#### Wheel drives

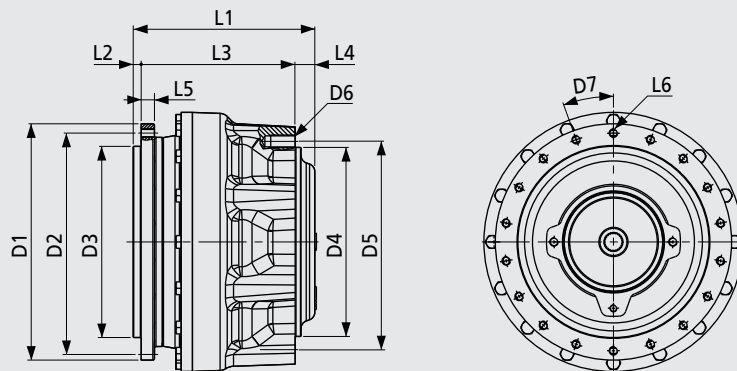
When you are designing an All wheel drive grader, the integration of the new 600 series, developed for this high speed application, is the best possible choice for your vehicle.

A clutch device to allow the high speed option is integrated in the solution.

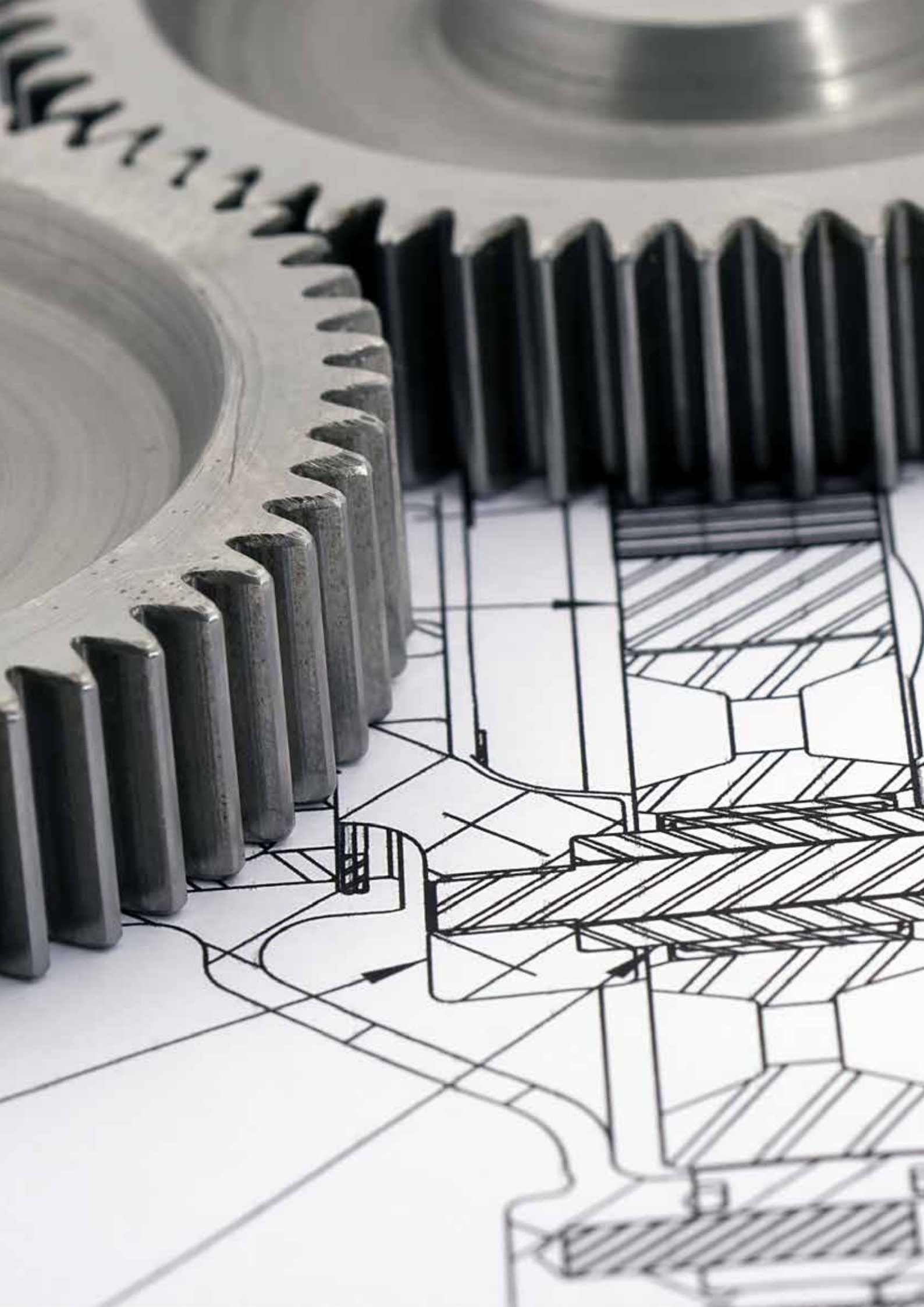
| Type   | Torque (Nm) |
|--------|-------------|
| 606 W2 | 15000       |



| TYPE   | WEIGHT  | OUTPUT TORQUE | RATIOS | MOTOR TYPE |
|--------|---------|---------------|--------|------------|
|        | tons    | Nm            | 1:     |            |
| 606 W2 | 14 ÷ 26 | 15000         | 30     | high speed |



| TYPE   | D1  | D2  | D3     | D4     | D5  | D6        | D7  | L1  | L2 | L3  | L4 | L5 | L6         |
|--------|-----|-----|--------|--------|-----|-----------|-----|-----|----|-----|----|----|------------|
| 606 W2 | 488 | 410 | 360 h8 | 356 h8 | 410 | M24x3 n°8 | 20° | 342 | 15 | 290 | 37 | 25 | M16x2 n°18 |



---

## Sharing the value of our work with you.

---

The development of effective, tailored solutions for a wide range of applications is a fundamental aspect of our work.

We succeed in this because we co-operate closely with our customers, listen to their requests and work with them to improve our own performance.

Bonfiglioli is determined to deliver the best service possible – before, during and after the sale of any of our products – by applying all our know-how, experience, technology, and advanced communication tools. Bonfiglioli works to the strictest standards of quality and safety, as certified by seven different internationally recognised institutes.

We believe in innovation, and back up this belief by dedicating 100 of our people and 5 activity centres to research and development, and by working hand in hand with some of the world's most prestigious universities.

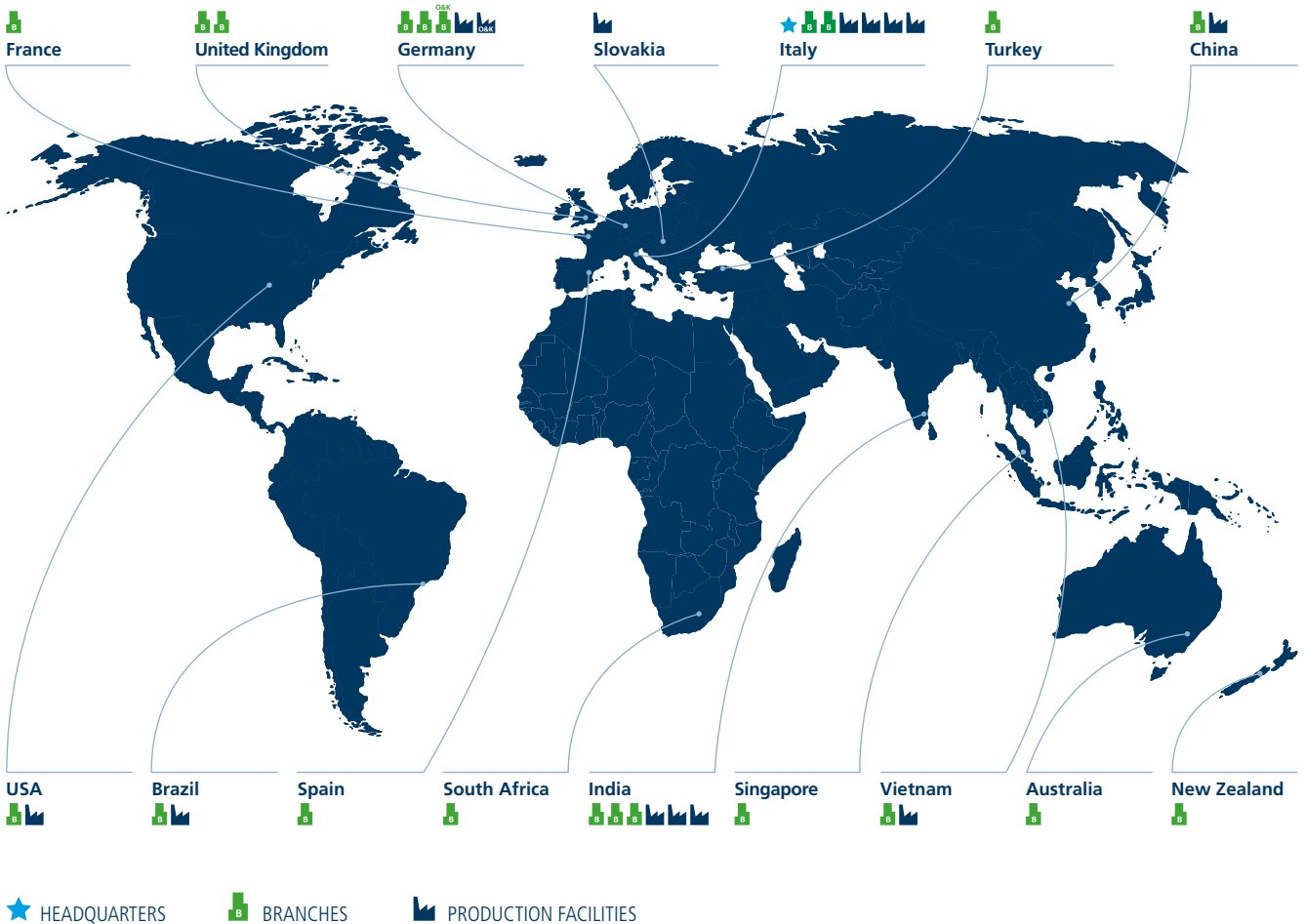
Our work increasingly brings us into contact with other nations and cultures, for which we have the greatest respect and with whom we share a vision of sustainable development based on renewable energy.

This bond of commitment allows us to be an authoritative and reliable global partner for the present and the future.

# BONFIGLIOLI WORLDWIDE PRESENCE

Bonfiglioli is located in regions and countries around the world that enable us to provide faster sales and service to customers.

**We are around the world, and around the corner.**



## LOCAL SUPPORT



SALES, CUSTOMER SERVICE, WARRANTY, TECH SUPPORT, SPARE PARTS

**21** BRANCH OFFICES IN **16** COUNTRIES



WORLDWIDE DISTRIBUTION NETWORK



# BONFIGLIOLI WORLDWIDE LOCATIONS

## **Bonfiglioli Australia**

www.bonfiglioli.com.au  
2, Cox Place Glendenning NSW 2761  
Locked Bag 1000 Plumpton NSW 2761  
Tel. (+ 61) 2 8811 8000 - Fax (+ 61) 2 9675 6605

## **Bonfiglioli Brasil**

www.bonfigliolidobrasil.com.br  
Travessa Cláudio Armando 171  
Bloco 3 - CEP 09861-730 - Bairro Assunção  
São Bernardo do Campo - São Paulo  
Tel. (+55) 11 4344 2323 - Fax (+55) 11 4344 2322

## **Bonfiglioli China**

www.bonfiglioli.cn  
Bonfiglioli Drives (Shanghai) Co., Ltd.  
#68, Hui-Lian Road, QingPu District,  
201707 Shanghai  
Ph. (+86) 21 6700 2000 - Fax (+86) 21 6700 2100

## **Bonfiglioli Deutschland**

www.bonfiglioli.de  
**Industrial, Mobile, Wind**  
Sperberweg 12 - 41468 Neuss  
Tel. +49 (0) 2131 2988 0 - Fax +49 (0) 2131 2988 100  
**Industrial**  
Europark Fichtenhain B6 - 47807 Krefeld  
Tel. +49 (0) 2151 8396 0 - Fax +49 (0) 2151 8396 999  
**O&K Antriebstechnik**  
Ruhrallee 8-12 - 45525 Hattingen  
Tel. +49 (0) 2324 2050 1 - Fax +49 (0) 2324 2054 29

## **Bonfiglioli España**

www.tecnotrans.bonfiglioli.com/es-es/  
**Industrial, Mobile, Wind**  
Tecnotrans Bonfiglioli S.A.  
Pol. Ind. Zona Franca sector C, calle F, n°6  
08040 Barcelona  
Tel. (+34) 93 4478400 - Fax (+34) 93 3360402

## **Bonfiglioli France**

www.bonfiglioli.fr  
14 Rue Eugène Pottier  
Zone Industrielle de Moimont II - 95670 Marly la Ville  
Tel. (+33) 1 34474510 - Fax (+33) 1 34688800

## **Bonfiglioli India**

www.bonfiglioli.in  
Bonfiglioli Transmissions Pvt. Ltd.  
Plot No. AC7-AC11, SIDCO Industrial Estate,  
Thirumudivakkam - 600 044 Chennai  
Tel.: +91 44 2478 1035

## **Bonfiglioli Italia**

www.bonfiglioli.it  
**Headquarters**  
Bonfiglioli Riduttori S.p.A.  
Via Giovanni XXIII, 7/A  
Lippo di Calderara di Reno - 40012 Bologna  
Tel. +39 051 647 3111 - Fax +39 051 647 3126  
**Mobile, Wind**  
Via Enrico Mattei, 12 Z.I. Villa Selva - 47100 Forlì  
Tel. +39 0543 789111 - Fax +39 0543789242  
**Industrial**  
Via Bazzane, 33/A - 40012 Calderara di Reno (BO)  
Tel. +39 051 6473111 - Fax +39 051 6473330  
**Industrial**  
Via Trinità, 1 - 41058 Vignola (MO)  
Tel. +39 059 768511 - Fax +39 059 768522  
**Industrial**  
Via Sandro Pertini lotto 7b - 20080 Carpiano (Milano)  
Tel. (+39) 02 985081 - Fax (+39) 02 985085817  
**Bonfiglioli Mechatronic Research**  
Via F. Zeni 8 - 38068 Rovereto (Trento)  
Tel. (+39) 0464 443435/36 - Fax (+39) 0464 443439

## **Bonfiglioli New Zealand**

www.bonfiglioli.co.nz  
88 Hastie Avenue, Mangere Bridge, 2022 Auckland  
PO Box 11795, Ellerslie  
Tel. (+64) 09 634 6441 - Fax (+64) 09 634 6445

## **Bonfiglioli South East Asia**

www.bonfiglioli.com  
24 Pioneer Crescent #02-08  
West Park Bizcentral - Singapore, 628557  
Tel. (+65) 6268 9869 - Fax. (+65) 6268 9179

## **Bonfiglioli South Africa**

www.bonfiglioli.co.za  
55 Galaxy Avenue, Linbro Business Park - Sandton  
Tel. (+27) 11 608 2030 OR - Fax (+27) 11 608 2631

## **Bonfiglioli Türkiye**

www.bonfiglioli.com.tr  
Atatürk Organize Sanayi Bölgesi, 10007 Sk. No. 30  
Atatürk Organize Sanayi Bölgesi, 35620 Çiğli - İzmir  
Tel. +90 (0) 232 328 22 77 (pbx) - Fax +90 (0) 232 328 04 14

## **Bonfiglioli United Kingdom**

www.bonfiglioli.co.uk  
**Industrial**  
Unit 7, Colemeadow Road  
North Moons Moat - Redditch, Worcestershire B98 9PB  
Tel. (+44) 1527 65022 - Fax (+44) 1527 61995  
**Mobile, Wind**  
3 - 7 Grosvenor Grange, Woolston  
Warrington - Cheshire WA1 4SF  
Tel. (+44) 1925 852667 - Fax (+44) 1925 852668

## **Bonfiglioli USA**

www.bonfiglioliusa.com  
3541 Hargrave Drive Hebron, Kentucky 41048  
Tel. (+1) 859 334 3333 - Fax (+1) 859 334 8888

## **Bonfiglioli Vietnam**

www.bonfiglioli.vn  
Lot C-9D-CN My Phuoc Industrial Park 3  
Ben Cat - Binh Duong Province  
Tel. (+84) 650 3577411 - Fax (+84) 650 3577422



We have a relentless commitment to excellence, innovation and sustainability. Our team creates, distributes and services world-class power transmission and drive solutions to keep the world in motion.



#### **HEADQUARTERS**

**Bonfiglioli Riduttori S.p.A.**  
Via Giovanni XXIII, 7/A  
40012 Lippo di Calderara di Reno  
Bologna (Italy)  
tel: +39 051 647 3111  
fax: +39 051 647 3126  
[bonfiglioli@bonfiglioli.com](mailto:bonfiglioli@bonfiglioli.com)  
[www.bonfiglioli.com](http://www.bonfiglioli.com)